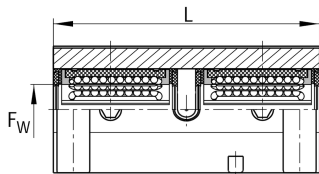
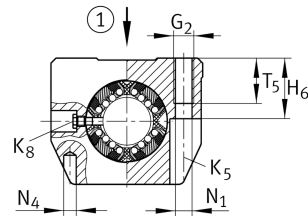
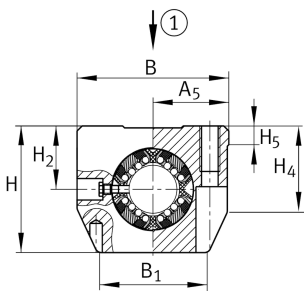


KTSS25-PP-AS [↗](#)

Linear Ball Bearing and Housing Unit

Linear ball bearing and housing unit; adjustable clearance, with self-aligning linear ball bearing, contact seals on both sides

Technical information



Your current product variant

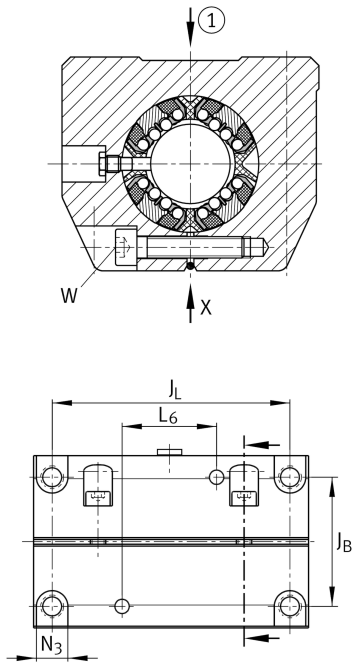
Size code	25
Seal	PP
Relubrication facility	AS

Technical data

	8	Ball rows
≈m	1,15 kg	Weight

Main Dimensions & Performance Data

F _w	25 mm	Diameter of ball complement
H	60 mm	Height
L	122 mm	Length
B	78 mm	Width
C _{max}	6.400 N	Load capacity dyn.
C _{0 max}	8.600 N	Load capacity stat.



Mounting dimensions

J_B	60 mm	
Tol J_B	+ 0,15 mm	Upper tolerance
Tol J_B	- 0,15 mm	Lower tolerance
B_1	59,4 mm	
A_5	39 mm	
Tol A_5	+ 0,01 mm	Upper tolerance
Tol A_5	- 0,01 mm	Lower tolerance
J_L	94 mm	Distance
Tol J_L	+ 0,15 mm	Upper tolerance
Tol J_L	- 0,15 mm	Lower tolerance
L_6	44 mm	Distance
H_2	30 mm	Center height
Tol H_2	+ 0,008 mm	Upper tolerance
Tol H_2	- 0,016 mm	Lower tolerance
H_4	41,5 mm	
H_5	8,3 mm	
T_5	22 mm	
H_6	29 mm	
G_2	M10	
N_1	8,4 mm	
N_4	6 mm	
N_3	15 mm	
K_5	M8	
K_8	NIP5MZ	Lubrication nipple
W	5 mm	Width across flats