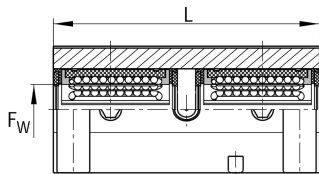
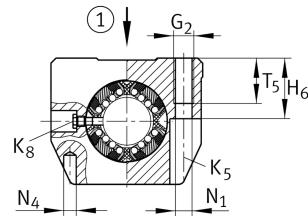
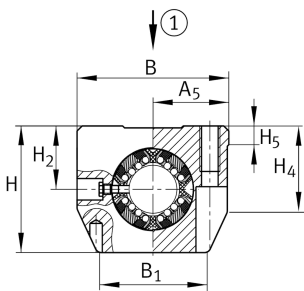


### KTSS30-PP-AS [↗](#)

#### Linear Ball Bearing and Housing Unit

Linear ball bearing and housing unit; adjustable clearance, with self-aligning linear ball bearing, contact seals on both sides

### Technical information



### Your current product variant

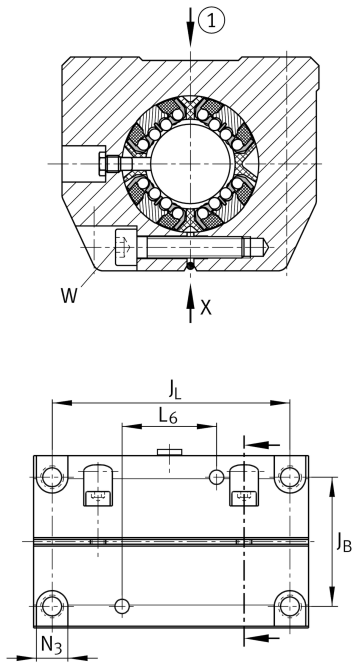
Size code	30
Seal	PP
Relubrication facility	AS

### Technical data

	8	Ball rows
≈m	1,7 kg	Weight

### Main Dimensions & Performance Data

F <sub>w</sub>	30 mm	Diameter of ball complement
H	70 mm	Height
L	142 mm	Length
B	87 mm	Width
C <sub>max</sub>	9.600 N	Load capacity dyn.
C <sub>0 max</sub>	12.000 N	Load capacity stat.



### Mounting dimensions

$J_B$	68 mm	
Tol $J_B$	+ 0,15 mm	Upper tolerance
Tol $J_B$	- 0,15 mm	Lower tolerance
$B_1$	63 mm	
$A_5$	43,5 mm	
Tol $A_5$	+ 0,01 mm	Upper tolerance
Tol $A_5$	- 0,01 mm	Lower tolerance
$J_L$	106 mm	Distance
Tol $J_L$	+ 0,15 mm	Upper tolerance
Tol $J_L$	- 0,15 mm	Lower tolerance
$L_6$	54 mm	Distance
$H_2$	35 mm	Center height
Tol $H_2$	+ 0,008 mm	Upper tolerance
Tol $H_2$	- 0,016 mm	Lower tolerance
$H_4$	46,2 mm	
$H_5$	9,3 mm	
$T_5$	22 mm	
$H_6$	34 mm	
$G_2$	M10	
$N_1$	8,4 mm	
$N_4$	6 mm	
$N_3$	15 mm	
$K_5$	M8	
$K_8$	NIP5MZ	Lubrication nipple
$W$	5 mm	Width across flats