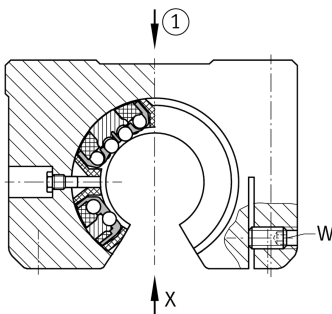
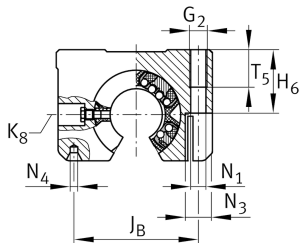
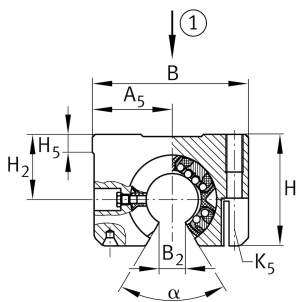


KTSOS12-PP-AS

Linear Ball Bearing and Housing Unit

Linear ball bearing and housing unit; open design, adjustable clearance, with self-aligning linear ball bearing, contact seals on both sides

Technical information



Your current product variant

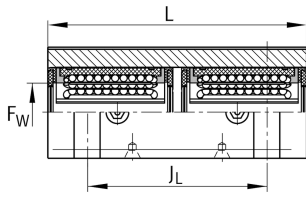
Size code	12
Seal	PP
Relubrication facility	AS

Technical data

	6	Ball rows
≈m	0,19 kg	Weight

Main Dimensions & Performance Data

F _w	12 mm	Diameter of ball complement
H	28 mm	Height
L	70 mm	Length
B	43 mm	Width
C _{max}	1.460 N	Load capacity dyn.
C _{0 max}	2.100 N	Load capacity stat.

**Mounting dimensions**

J _B	32 mm	
Tol J _B	+ 0,15 mm	Upper tolerance
Tol J _B	- 0,15 mm	Lower tolerance
A ₅	21,5 mm	
Tol A ₅	+ 0,01 mm	Upper tolerance
Tol A ₅	- 0,01 mm	Lower tolerance
B ₂	7,6 mm	
J _L	56 mm	Distance
Tol J _L	+ 0,15 mm	Upper tolerance
Tol J _L	- 0,15 mm	Lower tolerance
L ₆	24 mm	Distance
H ₂	18 mm	Center height
Tol H ₂	+ 0,008 mm	Upper tolerance
Tol H ₂	- 0,016 mm	Lower tolerance
H ₅	6,1 mm	
T ₅	11 mm	
H ₆	16,5 mm	
G ₂	M5	
N ₁	4,3 mm	
N ₄	1,6x3,35	
N ₃	8 mm	
K ₅	M4	
K ₈	NIP4MZ	Lubrication nipple
W	2,5 mm	Width across flats
α	66 °	Angle