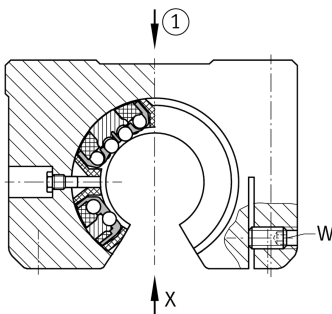
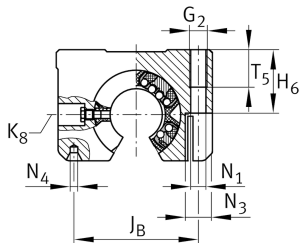
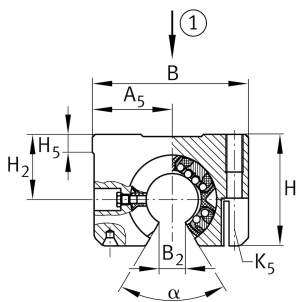


KTSOS20-PP-AS

Linear Ball Bearing and Housing Unit

Linear ball bearing and housing unit; open design, adjustable clearance, with self-aligning linear ball bearing, contact seals on both sides

Technical information



Your current product variant

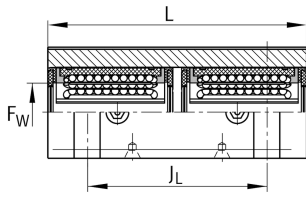
Size code	20
Seal	PP
Relubrication facility	AS

Technical data

	6	Ball rows
≈m	0,52 kg	Weight

Main Dimensions & Performance Data

F _w	20 mm	Diameter of ball complement
H	42 mm	Height
L	96 mm	Length
B	60 mm	Width
C _{max}	3.500 N	Load capacity dyn.
C _{0 max}	4.600 N	Load capacity stat.

**Mounting dimensions**

J_B	45 mm	
Tol J_B	+ 0,15 mm	Upper tolerance
Tol J_B	- 0,15 mm	Lower tolerance
A_5	30 mm	
Tol A_5	+ 0,01 mm	Upper tolerance
Tol A_5	- 0,01 mm	Lower tolerance
B_2	10 mm	
J_L	76 mm	Distance
Tol J_L	+ 0,15 mm	Upper tolerance
Tol J_L	- 0,15 mm	Lower tolerance
L_6	33 mm	Distance
H_2	25 mm	Center height
Tol H_2	+ 0,008 mm	Upper tolerance
Tol H_2	- 0,016 mm	Lower tolerance
H_5	8 mm	
T_5	18 mm	
H_6	24 mm	
G_2	M8	
N_1	6,6 mm	
N_4	2x4.25	
N_3	11 mm	
K_5	M6	
K_8	NIP4MZ	Lubrication nipple
W	2,5 mm	Width across flats
α	55 °	Angle