



FAG

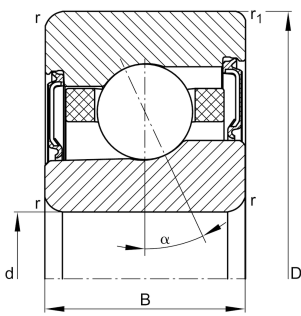
**HCM7007-E-2RSD-T-P4S-UL-XL**

High speed spindle bearing

High speed spindle bearing HCM70..-E-2RSD, adjusted, in pairs or sets, contact angle  $\alpha = 25^\circ$ , with ceramic balls, lip seals on both sides, non-contact, restricted tolerances

X-life

## Technical information



## Your current product variant

|                         |      |   |
|-------------------------|------|---|
| Preload                 | L    | Preload light   |
| Contact angle           | E    | Contact angle $25^\circ$                                    |
| Sealing                 | 2RSD | Non-contact sealed on both sides and greased "for life"     |
| Cage                    | T    | Laminated fabric cage                                       |
| Tolerance class         | P4S  | Tolerance class P4S, FAG standard better than P4 to DIN 620 |
| Arrangement bearing set | U    | Single bearing  |

## Main Dimensions &amp; Performance Data

|                 |              |                                       |
|-----------------|--------------|---------------------------------------|
| d               | 35 mm        | Bore diameter                         |
| D               | 62 mm        | Outside diameter                      |
| B               | 14 mm        | Width                                 |
| $C_r$           | 10.800 N     | Basic dynamic load rating, radial     |
| $C_{0r}$        | 4.850 N      | Basic static load rating, radial      |
| $C_{ur}$        | 390 N        | Fatigue load limit, radial            |
| $n_G$<br>Grease | 40.000 1/min | Limiting speed for grease lubrication |
| $\approx m$     | 145,5 g      | Weight                                |



### Mounting dimensions

|               |         |   |
|---------------|---------|---|
| $d_a$         | 41 mm   | Diameter shaft shoulder                           |
| $d_a$         | h12     | Diameter shaft shoulder clearance                 |
| $D_a$         | 56 mm   | Shoulder diameter outer ring                      |
| $D_a$         | H12     | Shoulder diameter outer ring clearance            |
| $r_{a \max}$  | 1 mm    | Maximum recess radius                             |
| $r_{a1 \max}$ | 0,3 mm  | Maximum recess radius                             |
| $a$           | 18,3 mm | Distance between the apexes of the pressure cones |

### Dimensions

|              |        |                           |
|--------------|--------|---------------------------|
| $r_{\min}$   | 1 mm   | Minimum chamfer dimension |
| $r_{1 \min}$ | 0,6 mm | Minimum chamfer dimension |
| $\alpha$     | 25 °   | Contact angle             |

### Temperature range

|            |        |                            |
|------------|--------|----------------------------|
| $T_{\min}$ | -30 °C | Operating temperature min. |
| $T_{\max}$ | 80 °C  | Operating temperature max. |

### Additional information

|           |          |                       |
|-----------|----------|-----------------------|
| $F_{VL}$  | 57 N     | Preload force light   |
| $F_{VM}$  | 148 N    | Preload force medium  |
| $F_{VH}$  | 308 N    | Preload force heavy   |
| $K_{aEL}$ | 162 N    | Lift-off force light  |
| $K_{aEM}$ | 428 N    | Lift-off force medium |
| $K_{aEH}$ | 901 N    | Lift-off force heavy  |
| $c_{aL}$  | 68 N/μm  | Axial rigidity light  |
| $c_{aM}$  | 95 N/μm  | Axial rigidity medium |
| $c_{aH}$  | 124 N/μm | Axial rigidity heavy  |



### Characteristics

---



Radial load



Axial load in one direction



Lifetime lubrication, freedom from maintenance



Grease Lubrication



Sealed on both sides