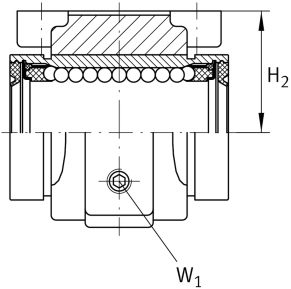
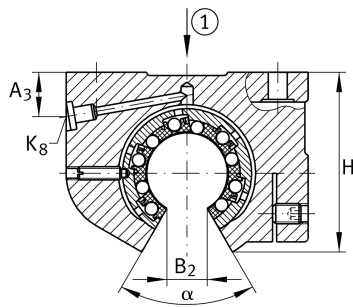
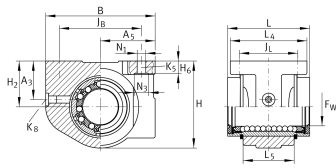
**KGBAO40-PP-AS**

## Linear Ball Bearing and Housing Unit

Linear ball bearing and housing unit; open design, sealed, greased, with relubrication facility; corrosion-resistant design possible

## Technical information



## Your current product variant

Size code	40
Seal	PP
Relubrication facility	AS

## Technical data

	5	Ball rows
≈m	1,07 kg	Weight

## Main Dimensions &amp; Performance Data

F <sub>w</sub>	40 mm	Diameter of ball complement
H	82,5 mm	Height
L	80 mm	Length
Tol L	h12	Tolerance
B	108 mm	Width
C	6.100 N	Load capacity dyn. C
C <sub>0</sub>	4.600 N	Load capacity stat. C <sub>0</sub>



### Mounting dimensions

J <sub>B</sub>	86 mm	
Tol J <sub>B</sub>	+ 0,2 mm	Upper tolerance
Tol J <sub>B</sub>	- 0,2 mm	Lower tolerance
A <sub>5</sub>	54 mm	
Tol A <sub>5</sub>	+ 0,015 mm	Upper tolerance
Tol A <sub>5</sub>	- 0,015 mm	Lower tolerance
B <sub>2</sub>	18,2 mm	
L <sub>4</sub>	78 mm	
L <sub>5</sub>	56 mm	
J <sub>L</sub>	58 mm	
Tol J <sub>L</sub>	+ 0,2 mm	Upper tolerance
Tol J <sub>L</sub>	- 0,2 mm	Lower tolerance
H <sub>2</sub>	45 mm	Height shaft
Tol H <sub>2</sub>	+ 0,01 mm	Upper tolerance
Tol H <sub>2</sub>	- 0,01 mm	Lower tolerance
A <sub>3</sub>	18 mm	
H <sub>6</sub>	11 mm	
Tol H <sub>6</sub>	- 0,5 mm	Tolerance
N <sub>1</sub>	9,2 mm	
N <sub>3</sub>	15 mm	
K <sub>5</sub>	M8	
K <sub>8</sub>	NIPA2	Lubrication nipple
W <sub>1</sub>	4 mm	Width across flats
M W <sub>1</sub> max	5 Nm	Max. tightening torque
α	54 °	Angle