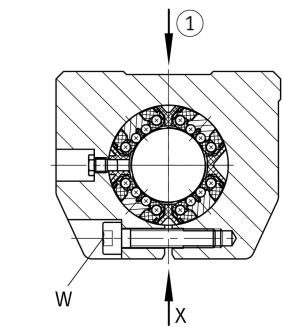
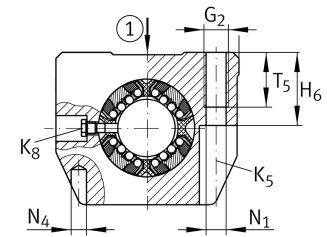
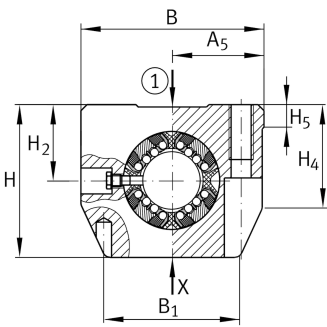


KGSNS50-PP-AS

Linear Ball Bearing and Housing Unit

Linear ball bearing and housing unit; with self-aligning linear ball bearing, slotted design, sealed, greased, with relubrication facility

Technical information



Your current product variant

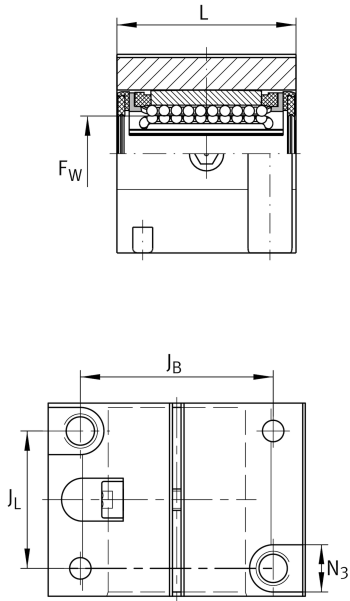
Size code	50
Seal	PP
Relubrication	AS

Technical data

	8	Ball rows
≈m	2,76 kg	Weight

Main Dimensions & Performance Data

F _w	50 mm	Diameter of ball complement
H	105 mm	Height
L	100 mm	Length
B	132 mm	Width
C _{max}	15.100 N	Load capacity dyn.
C _{0 max}	13.900 N	Load capacity stat.



Mounting dimensions

J _B	108 mm	
B ₁	90 mm	
A ₅	66 mm	
Tol A ₅	+ 0,01 mm	Upper tolerance
Tol A ₅	- 0,01 mm	Lower tolerance
J _L	50 mm	Distance
Tol J _L	+ 0,15 mm	Upper tolerance
H ₂	50 mm	Center height
H ₄	62 mm	
H ₅	10,6 mm	
T ₅	35 mm	Mounting Dimension
H ₆	49 mm	Mounting Dimension
G ₂	M16	
N ₁	13,5 mm	Mounting Dimension
N ₄	10 mm	
N ₃	20 mm	Mounting Dimension
K ₅	M12	
K ₈	NIP6MZ	Lubrication nipple
W	8 mm	Width across flats