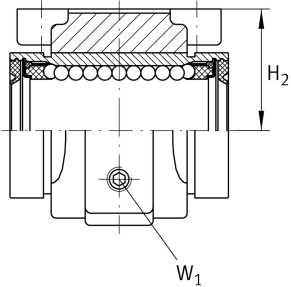
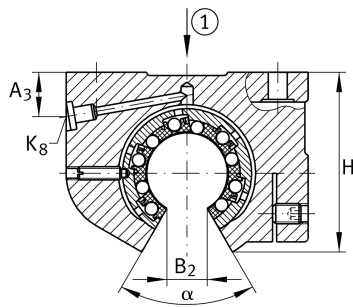
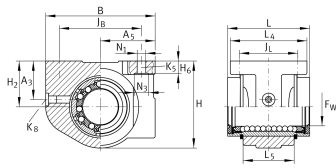
**KGBAO12-PP-AS**

Linear Ball Bearing and Housing Unit

Linear ball bearing and housing unit; open design, sealed, greased, with relubrication facility; corrosion-resistant design possible

Technical information



Your current product variant

Size code	12
Seal	PP
Relubrication facility	AS

Technical data

	4	Ball rows
≈m	64,6 g	Weight

Main Dimensions & Performance Data

F _w	12 mm	Diameter of ball complement
H	30,5 mm	Height
L	32 mm	Length
Tol L	h12	Tolerance
B	42 mm	Width
C	600 N	Load capacity dyn. C
C ₀	445 N	Load capacity stat. C ₀



Mounting dimensions

J _B	32 mm	
Tol J _B	+ 0,15 mm	Upper tolerance
Tol J _B	- 0,15 mm	Lower tolerance
A ₅	21 mm	
Tol A ₅	+ 0,01 mm	Upper tolerance
Tol A ₅	- 0,01 mm	Lower tolerance
B ₂	7,7 mm	
L ₄	32 mm	
L ₅	20 mm	
J _L	23 mm	
Tol J _L	+ 0,15 mm	Upper tolerance
Tol J _L	- 0,15 mm	Lower tolerance
H ₂	18 mm	Height shaft
Tol H ₂	+ 0,01 mm	Upper tolerance
Tol H ₂	- 0,01 mm	Lower tolerance
A ₃	7,8 mm	
H ₆	4,8 mm	
Tol H ₆	- 0,5 mm	Tolerance
N ₁	4,7 mm	
N ₃	8 mm	
K ₅	M4	
K ₈	NIPA1	Lubrication nipple
W ₁	2 mm	Width across flats
M W ₁ max	1 Nm	Max. tightening torque
α	78 °	Angle