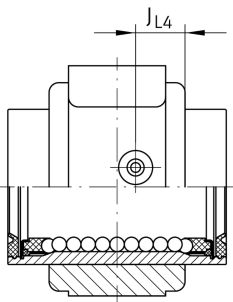
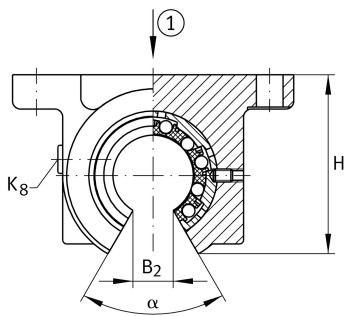


KGBO30-PP-AS

Linear Ball Bearing and Housing Unit

Linear ball bearing and housing unit; open design, sealed, greased, with relubrication facility; corrosion-resistant design possible

Technical information



Your current product variant

Seal	PP
Relubrication	AS

Technical data

	5	Ball rows
≈m	0,78 kg	Weight

Main Dimensions & Performance Data

H	63,5 mm	Center height
L	68 mm	Length
Tol L	h12	Tolerance
B	88 mm	Width
C	3.700 N	Load capacity dyn.
C ₀	3.000 N	Load capacity stat. C ₀



Mounting dimensions

J _B	76 mm	
Tol J _B	+ 0,2 mm	Upper tolerance
Tol J _B	- 0,2 mm	Lower tolerance
B ₁	63 mm	
A ₅	44 mm	
Tol A ₅	+ 0,02 mm	Upper tolerance
Tol A ₅	- 0,02 mm	Lower tolerance
B ₂	13,6 mm	
L ₄	32 mm	Distance
L ₅	48 mm	Distance
J L ₄	19 mm	Distance
H ₂	35 mm	Height shaft
Tol H ₂	+ 0,015 mm	Upper tolerance
Tol H ₂	- 0,015 mm	Lower tolerance
A ₃	25 mm	
H ₆	10 mm	
N ₁	6,6 mm	
N ₃	11 mm	
K ₅	M6	
K ₈	NIPA2	Lubrication nipple
α	54 °	Angle