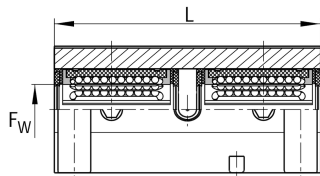
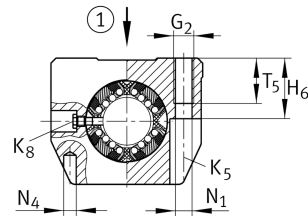
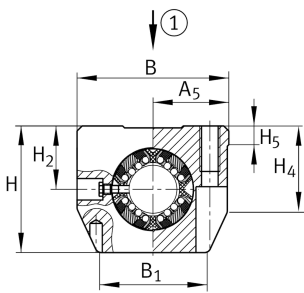
**KTSS16-PP-AS** [↗](#)

Linear Ball Bearing and Housing Unit

Linear ball bearing and housing unit;
adjustable clearance, with self-aligning linear
ball bearing, contact seals on both sides

Technical information



Your current product variant

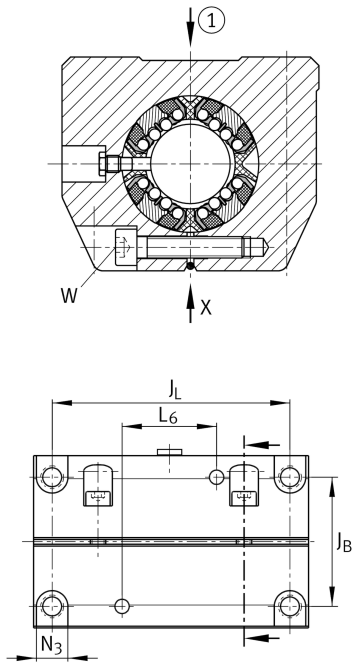
Size code	16
Seal	PP
Relubrication facility	AS

Technical data

	8	Ball rows
≈m	0,35 kg	Weight

Main Dimensions & Performance Data

F _w	16 mm	Diameter of ball complement
H	42 mm	Height
L	78 mm	Length
B	53 mm	Width
C _{max}	2.330 N	Load capacity dyn.
C _{0 max}	3.100 N	Load capacity stat.



Mounting dimensions

J_B	40 mm	
Tol J_B	+ 0,15 mm	Upper tolerance
Tol J_B	- 0,15 mm	Lower tolerance
B_1	40 mm	
A_5	26,5 mm	
Tol A_5	+ 0,01 mm	Upper tolerance
Tol A_5	- 0,01 mm	Lower tolerance
J_L	64 mm	Distance
Tol J_L	+ 0,15 mm	Upper tolerance
Tol J_L	- 0,15 mm	Lower tolerance
L_6	26 mm	Distance
H_2	22 mm	Center height
Tol H_2	+ 0,008 mm	Upper tolerance
Tol H_2	- 0,016 mm	Lower tolerance
H_4	29,3 mm	
H_5	6,9 mm	
T_5	13 mm	
H_6	21 mm	
G_2	M6	
N_1	5,3 mm	
N_4	4 mm	
N_3	10 mm	
K_5	M5	
K_8	NIP4MZ	Lubrication nipple
W	3 mm	Width across flats