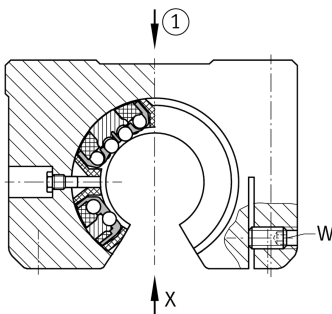
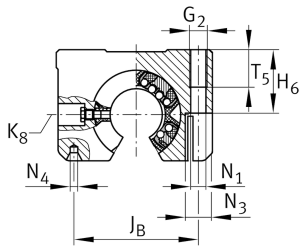
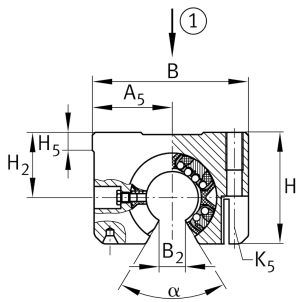
**KTSOS25-PP-AS**

## Linear Ball Bearing and Housing Unit

Linear ball bearing and housing unit; open design, adjustable clearance, with self-aligning linear ball bearing, contact seals on both sides

## Technical information

**Your current product variant**

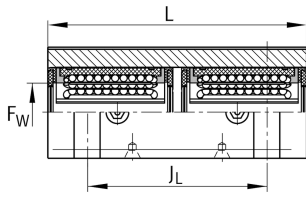
Size code	25
Seal	PP
Relubrication facility	AS

**Technical data**

	6	Ball rows
≈m	1,06 kg	Weight

**Main Dimensions & Performance Data**

F <sub>w</sub>	25 mm	Diameter of ball complement
H	51 mm	Height
L	122 mm	Length
B	78 mm	Width
C <sub>max</sub>	6.400 N	Load capacity dyn.
C <sub>0 max</sub>	8.600 N	Load capacity stat.



### Mounting dimensions

J <sub>B</sub>	60 mm	
Tol J <sub>B</sub>	+ 0,15 mm	Upper tolerance
Tol J <sub>B</sub>	- 0,15 mm	Lower tolerance
A <sub>5</sub>	39 mm	
Tol A <sub>5</sub>	+ 0,01 mm	Upper tolerance
Tol A <sub>5</sub>	- 0,01 mm	Lower tolerance
B <sub>2</sub>	12,5 mm	
J <sub>L</sub>	94 mm	Distance
Tol J <sub>L</sub>	+ 0,15 mm	Upper tolerance
Tol J <sub>L</sub>	- 0,15 mm	Lower tolerance
L <sub>6</sub>	44 mm	Distance
H <sub>2</sub>	30 mm	Center height
Tol H <sub>2</sub>	+ 0,008 mm	Upper tolerance
Tol H <sub>2</sub>	- 0,016 mm	Lower tolerance
H <sub>5</sub>	8,8 mm	
T <sub>5</sub>	22 mm	
H <sub>6</sub>	29 mm	
G <sub>2</sub>	M10	
N <sub>1</sub>	8,4 mm	
N <sub>4</sub>	2,5x5,3	
N <sub>3</sub>	15 mm	
K <sub>5</sub>	M8	
K <sub>8</sub>	NIP5MZ	Lubrication nipple
W	3 mm	Width across flats
α	57 °	Angle