

IMAGE
COMING SOON**KGHK25-B-PP-AS**

Linear Ball Bearing and Housing Unit

Linear ball bearing and housing unit; sealed, greased, with relubrication facility; corrosion-resistant design possible

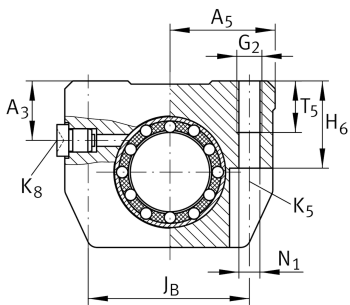
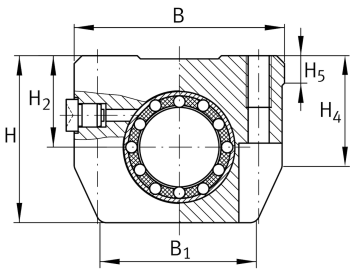
Technical information

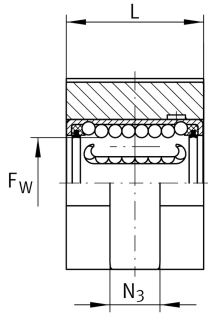
Your current product variant

Size code	25
Version	B
Seal	PP
Relubrication facility	AS

Main Dimensions & Performance Data

F _W	25 mm	Diameter of ball complement
H	52,5 mm	Height
L	40,2 mm	Length
B	60 mm	Width
C	2.280 N	Dynamic load rating
C ₀	1.670 N	Basic static load capacity
≈m	0,295 kg	Weight





Mounting dimensions

J _B	48 mm	
Tol J _B	+ 0,15 mm	Upper tolerance
Tol J _B	- 0,15 mm	Lower tolerance
B ₁	44 mm	
A ₅	30 mm	
H ₂	27 mm	Center height
Tol H ₂	+ 0,01 mm	Upper tolerance
Tol H ₂	- 0,014 mm	Lower tolerance
H ₄	36,6 mm	Mounting Dimension
H ₅	9,9 mm	
T ₅	18 mm	
H ₆	26 mm	Mounting Dimension
A ₃	17,5 mm	
G ₂	M8	
N ₁	6,6 mm	
N ₃	15 mm	
K ₅	M6	
K ₈	NIPA2	Lubrication nipple