

IMAGE
COMING SOON**KGHK40-B-PP-AS**

Linear Ball Bearing and Housing Unit

Linear ball bearing and housing unit; sealed, greased, with relubrication facility; corrosion-resistant design possible

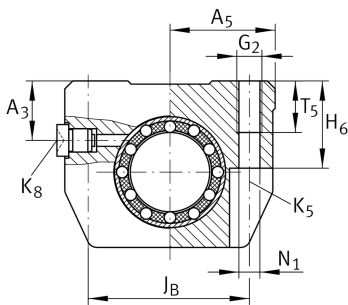
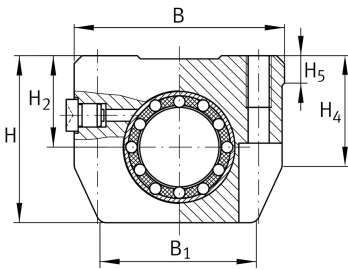
Technical information

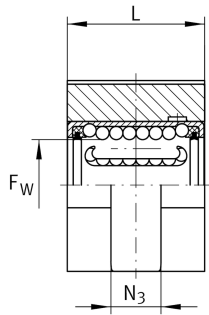
Your current product variant

Size code	40
Version	B
Seal	PP
Relubrication facility	AS

Main Dimensions & Performance Data

F _W	40 mm	Diameter of ball complement
H	73,5 mm	Height
L	60,2 mm	Length
B	87 mm	Width
C	5.300 N	Dynamic load rating
C ₀	4.450 N	Basic static load capacity
≈m	0,759 kg	Weight





Mounting dimensions

J _B	69 mm	
Tol J _B	+ 0,15 mm	Upper tolerance
Tol J _B	- 0,15 mm	Lower tolerance
B ₁	63 mm	
A ₅	43,5 mm	
H ₂	39 mm	Center height
Tol H ₂	+ 0,01 mm	Upper tolerance
Tol H ₂	- 0,014 mm	Lower tolerance
H ₄	49,7 mm	Mounting Dimension
H ₅	12,8 mm	
T ₅	22 mm	
H ₆	38 mm	Mounting Dimension
A ₃	23 mm	
G ₂	M10	
N ₁	8,4 mm	
N ₃	18 mm	
K ₅	M8	
K ₈	NIPA2	Lubrication nipple