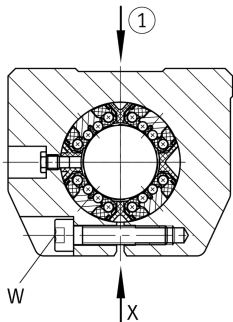
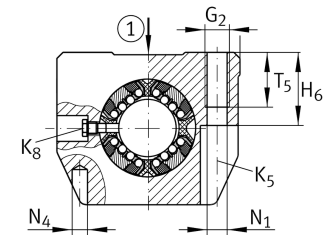
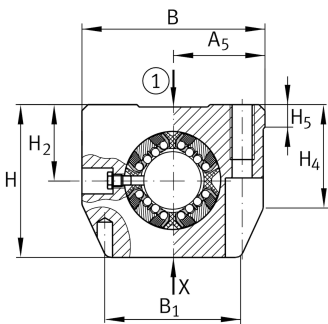
**KGSNS30-PP-AS**

## Linear Ball Bearing and Housing Unit

Linear ball bearing and housing unit; with self-aligning linear ball bearing, slotted design, sealed, greased, with relubrication facility

## Technical information



## Your current product variant

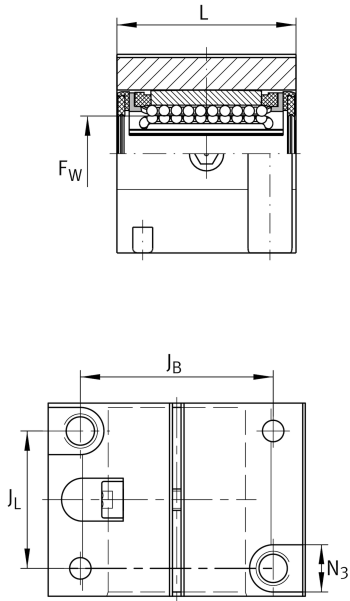
Size code	30
Seal	PP
Relubrication facility	AS

## Technical data

	8	Ball rows
≈m	0,85 kg	Weight

## Main Dimensions &amp; Performance Data

F <sub>w</sub>	30 mm	Diameter of ball complement
H	70 mm	Height
L	68 mm	Length
B	87 mm	Width
C <sub>max</sub>	5.900 N	Load capacity dyn.
C <sub>0 max</sub>	6.000 N	Load capacity stat.



### Mounting dimensions

J <sub>B</sub>	68 mm	
B <sub>1</sub>	63 mm	
A <sub>5</sub>	43,5 mm	
Tol A <sub>5</sub>	+ 0,01 mm	Upper tolerance
Tol A <sub>5</sub>	- 0,01 mm	Lower tolerance
J <sub>L</sub>	45 mm	Distance
Tol J <sub>L</sub>	+ 0,15 mm	Upper tolerance
H <sub>2</sub>	35 mm	Center height
H <sub>4</sub>	46,2 mm	
H <sub>5</sub>	9,3 mm	
T <sub>5</sub>	22 mm	Mounting Dimension
H <sub>6</sub>	34 mm	Mounting Dimension
G <sub>2</sub>	M10	
N <sub>1</sub>	8,4 mm	Mounting Dimension
N <sub>4</sub>	6 mm	
N <sub>3</sub>	15 mm	Mounting Dimension
K <sub>5</sub>	M8	
K <sub>8</sub>	NIP5MZ	Lubrication nipple
W	5 mm	Width across flats