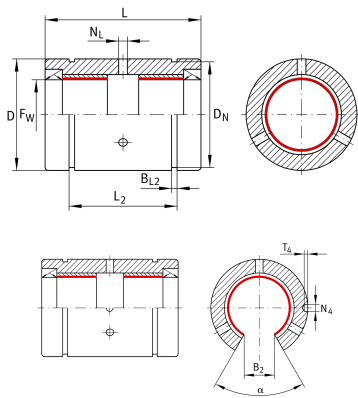
**PABO30-PP-AS**

## Linear plain bearing

Linear plain bearing; open design, sealed on all sides, with relubrication facility

## Technical information

**Your current product variant**

Size code	30
Seal	PP
Relubrication facility	AS

**Main Dimensions & Performance Data**

F <sub>w</sub>	30 mm	Diameter of ball complement
D	47 mm	Outer diameter
L	68 mm	Length
Tol L	h12	Tolerance
C <sub>0</sub>	375.000 N	Load capacity stat. C0
≈m	0,143 kg	Weight



### Mounting dimensions

L <sub>2</sub>	51,7 mm	Mounting Dimension
Tol L <sub>2</sub>	H13	Tolerance
B <sub>L2</sub>	1,85 mm	
Tol B <sub>L2</sub>	H13	Tolerance
D <sub>N</sub>	44,5 mm	
B <sub>2</sub>	13,6 mm	
T <sub>4</sub>	1,5 mm	
N <sub>4</sub>	3 mm	
N <sub>L</sub>	3 mm	
Tol N <sub>L</sub>	H13	Tolerance
a	54 °	Angle