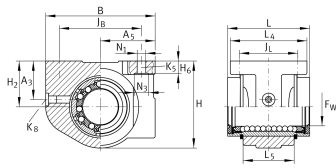
**KGBAO25-PP-AS**

Linear Ball Bearing and Housing Unit

Linear ball bearing and housing unit; open design, sealed, greased, with relubrication facility; corrosion-resistant design possible

Technical information



Your current product variant

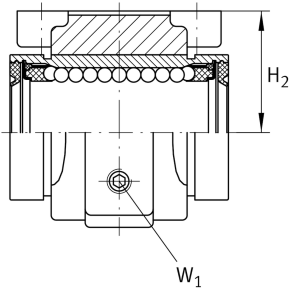
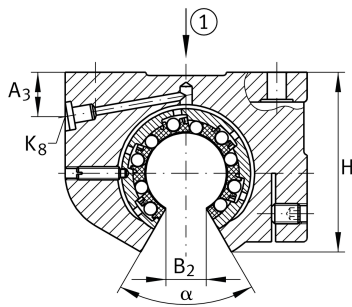
| | |
|---------------|----|
| Size code | 25 |
| Seal | PP |
| Relubrication | AS |

Technical data

| | | |
|----|---------|-----------|
| | 5 | Ball rows |
| ≈m | 0,35 kg | Weight |

Main Dimensions & Performance Data

| | | |
|----------------|---------|------------------------------------|
| F _w | 25 mm | Diameter of ball complement |
| H | 56 mm | Height |
| L | 58 mm | Length |
| Tol L | h12 | Tolerance |
| B | 74 mm | Width |
| C | 2.850 N | Load capacity dyn. C |
| C ₀ | 2.330 N | Load capacity stat. C ₀ |





Mounting dimensions

| | | |
|-------------------------|-----------|------------------------|
| J _B | 60 mm | |
| Tol J _B | + 0,2 mm | Upper tolerance |
| Tol J _B | - 0,2 mm | Lower tolerance |
| A ₅ | 37 mm | |
| Tol A ₅ | + 0,01 mm | Upper tolerance |
| Tol A ₅ | - 0,01 mm | Lower tolerance |
| B ₂ | 12,5 mm | |
| L ₄ | 54 mm | |
| L ₅ | 40 mm | |
| J _L | 40 mm | |
| Tol J _L | + 0,2 mm | Upper tolerance |
| Tol J _L | - 0,2 mm | Lower tolerance |
| H ₂ | 30 mm | Height shaft |
| Tol H ₂ | + 0,01 mm | Upper tolerance |
| Tol H ₂ | - 0,01 mm | Lower tolerance |
| A ₃ | 13 mm | |
| H ₆ | 7,8 mm | |
| Tol H ₆ | - 0,5 mm | Tolerance |
| N ₁ | 5,7 mm | |
| N ₃ | 10 mm | |
| K ₅ | M5 | |
| K ₈ | NIPA1 | Lubrication nipple |
| W ₁ | 3 mm | Width across flats |
| M W ₁ max | 3 Nm | Max. tightening torque |
| α | 60 ° | Angle |