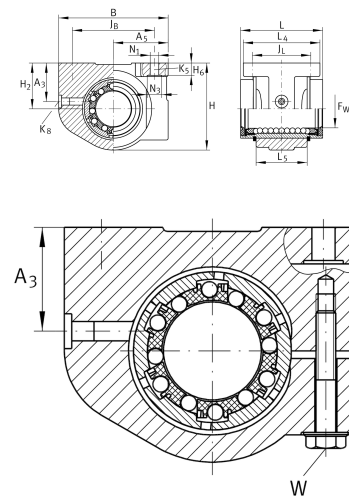


KGBAS40-PP-AS

Linear Ball Bearing and Housing Unit

Linear ball bearing and housing unit; sealed, greased, with relubrication facility; corrosion-resistant design possible

Technical information



Your current product variant

Size code	40
Seal	PP
Relubrication facility	AS

Technical data

	6	Ball rows
≈m	1,2 kg	Weight

Main Dimensions & Performance Data

F _w	40 mm	Diameter of ball complement
H	87 mm	Height
L	80 mm	Length
Tol L	h12	Tolerance
B	108 mm	Width
C	6.000 N	Load capacity dyn. C
C ₀	4.400 N	Load capacity stat. C ₀



Mounting dimensions

J _B	86 mm	
Tol J _B	+ 0,2 mm	Upper tolerance
Tol J _B	- 0,2 mm	Lower tolerance
A ₅	54 mm	
Tol A ₅	+ 0,015 mm	Upper tolerance
Tol A ₅	- 0,015 mm	Lower tolerance
L ₄	78 mm	
L ₅	56 mm	
J _L	58 mm	
Tol J _L	- 0,2 mm	Upper tolerance
Tol J _L	- 0,2 mm	Lower tolerance
H ₂	45 mm	Center Height
Tol H ₂	+ 0,01 mm	Upper tolerance
Tol H ₂	- 0,01 mm	Lower tolerance
A ₃	30 mm	
H ₆	11 mm	
Tol H ₆	- 0,5 mm	Tolerance
N ₁	9,2 mm	
N ₃	15 mm	
K ₅	M8	
K ₈	NIPA2	Lubrication nipple
W	13 mm	Width across flats