

IMAGE  
COMING SOON**KGHK06-B-PP-AS**

## Linear Ball Bearing and Housing Unit

Linear ball bearing and housing unit; sealed, greased, with relubrication facility; corrosion-resistant design possible

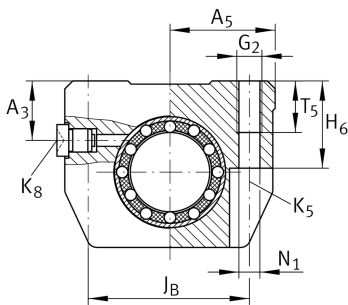
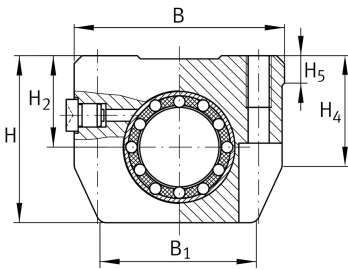
## Technical information

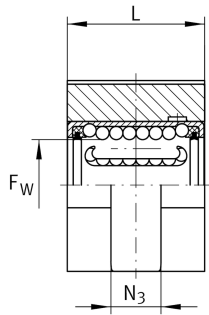
## Your current product variant

Size code	06
Version	B
Seal	PP
Relubrication facility	AS

## Main Dimensions &amp; Performance Data

F <sub>W</sub>	6 mm	Diameter of ball complement
H	27 mm	Height
L	22,2 mm	Length
B	32 mm	Width
C	340 N	Dynamic load rating
C <sub>0</sub>	240 N	Basic static load capacity
≈m	30 g	Weight





### Mounting dimensions

J <sub>B</sub>	23 mm	
Tol J <sub>B</sub>	+ 0,15 mm	Upper tolerance
Tol J <sub>B</sub>	- 0,15 mm	Lower tolerance
B <sub>1</sub>	25 mm	
A <sub>5</sub>	16 mm	
H <sub>2</sub>	13 mm	Center height
Tol H <sub>2</sub>	+ 0,01 mm	Upper tolerance
Tol H <sub>2</sub>	- 0,014 mm	Lower tolerance
H <sub>4</sub>	20,6 mm	Mounting Dimension
H <sub>5</sub>	5 mm	
T <sub>5</sub>	9 mm	
H <sub>6</sub>	13 mm	Mounting Dimension
A <sub>3</sub>	9 mm	
G <sub>2</sub>	M4	
N <sub>1</sub>	3,4 mm	
N <sub>3</sub>	7 mm	
K <sub>5</sub>	M3	
K <sub>8</sub>	NIPA1	Lubrication nipple