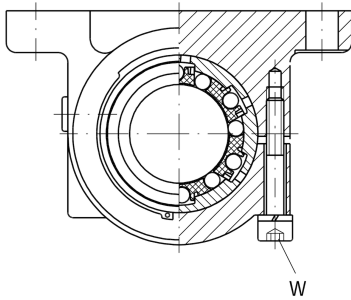
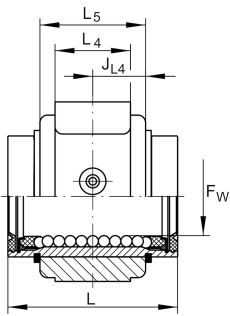
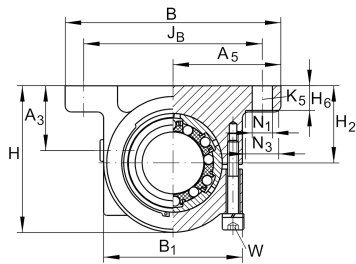


KGBS25-PP-AS

Linear Ball Bearing and Housing Unit

Linear ball bearing and housing unit; adjustable, sealed, greased, with relubrication facility; corrosion-resistant design possible

Technical information



Your current product variant

Size Code	25
Seal	PP
Relubrication facility	AS

Technical data

	6	Ball rows
≈m	0,58 kg	Weight

Main Dimensions & Performance Data

F _w	25 mm	Diameter of ball complement
H	57,5 mm	Height
L	58 mm	Length
Tol L	h12	Tolerance
B	80 mm	Width
C	2.800 N	Dynamic load rating
C ₀	2.200 N	Load capacity stat. C ₀



Mounting dimensions

J _B	68 mm	
Tol J _B	+ 0,15 mm	Upper tolerance
Tol J _B	- 0,15 mm	Lower tolerance
B ₁	55 mm	
A ₅	40 mm	
Tol A ₅	+ 0,02 mm	Upper tolerance
Tol A ₅	- 0,02 mm	Lower tolerance
L ₄	28 mm	Distance
L ₅	40 mm	Distance
J L ₄	20 mm	Distance
H ₂	30 mm	Height shaft
Tol H ₂	+ 0,015 mm	Upper tolerance
Tol H ₂	- 0,015 mm	Lower tolerance
A ₃	23 mm	
H ₆	10 mm	
N ₁	6,6 mm	
N ₃	11 mm	
K ₅	M6	
K ₈	NIPA1	Lubrication nipple
W	3 mm	Width across flats