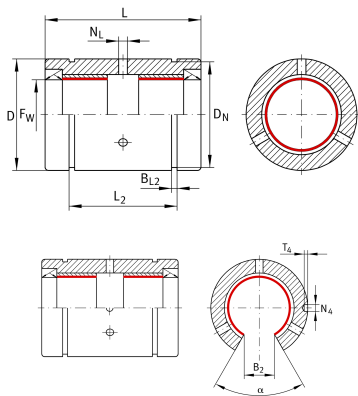


PABO16-PP-AS [↗](#)

Linear plain bearing

Linear plain bearing; open design, sealed on all sides, with relubrication facility

Technical information



Your current product variant

Size code	16
Seal	PP
Relubrication facility	AS

Main Dimensions & Performance Data

F _W	16 mm	Diameter of ball complement
D	26 mm	Outer diameter
L	36 mm	Length
Tol L	h12	Tolerance
C ₀	96.000 N	Load capacity stat. C0
≈m	28 g	Weight



Mounting dimensions

L ₂	24,6 mm	Mounting Dimension
Tol L ₂	H13	Tolerance
B _{L2}	1,3 mm	
Tol B _{L2}	H13	Tolerance
D _N	24,9 mm	
B ₂	10,1 mm	
T ₄	1,2 mm	
N ₄	2,2 mm	
N _L	2,5 mm	
Tol N _L	H13	Tolerance
a	78 °	Angle