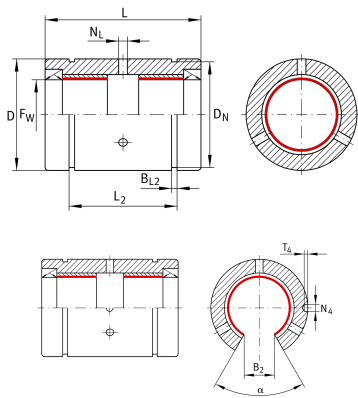
**PABO20-PP-AS**

Linear plain bearing

Linear plain bearing; open design, sealed on all sides, with relubrication facility

Technical information

**Your current product variant**

Size code	20
Seal	PP
Relubrication facility	AS

Main Dimensions & Performance Data

F _w	20 mm	Diameter of ball complement
D	32 mm	Outer diameter
L	45 mm	Length
Tol L	h12	Tolerance
C ₀	150.000 N	Load capacity stat. C0
≈m	58 g	Weight



Mounting dimensions

L ₂	31,2 mm	Mounting Dimension
Tol L ₂	H13	Tolerance
B _{L2}	1,6 mm	
Tol B _{L2}	H13	Tolerance
D _N	30,3 mm	
B ₂	10 mm	
T ₄	1,2 mm	
N ₄	2,2 mm	
N _L	2,5 mm	
Tol N _L	H13	Tolerance
a	60 °	Angle