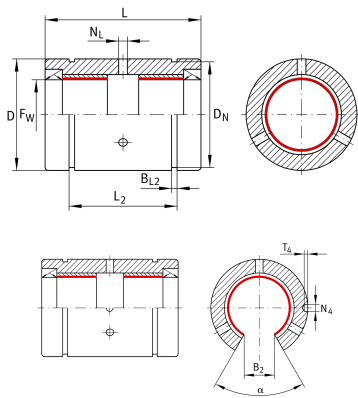
**PABO40-PP-AS** [↗](#)

## Linear plain bearing

Linear plain bearing; open design, sealed on all sides, with relubrication facility

## Technical information

**Your current product variant**

Size code	40
Seal	PP
Relubrication facility	AS

**Main Dimensions & Performance Data**

$F_W$	40 mm	Diameter of ball complement
$D$	62 mm	Outer diameter
$L$	80 mm	Length
Tol L	h12	Tolerance
$C_0$	600.000 N	Load capacity stat. $C_0$
$\approx m$	0,36 kg	Weight



### Mounting dimensions

L <sub>2</sub>	60,3 mm	Mounting Dimension
Tol L <sub>2</sub>	H13	Tolerance
B <sub>L2</sub>	2,15 mm	
Tol B <sub>L2</sub>	H13	Tolerance
D <sub>N</sub>	59 mm	
B <sub>2</sub>	18,2 mm	
T <sub>4</sub>	1,5 mm	
N <sub>4</sub>	3 mm	
N <sub>L</sub>	3 mm	
Tol N <sub>L</sub>	H13	Tolerance
a	54 °	Angle