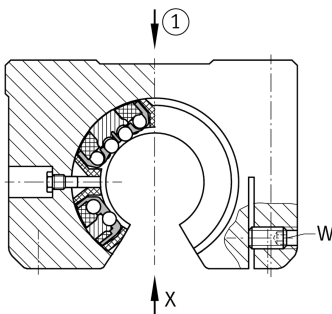
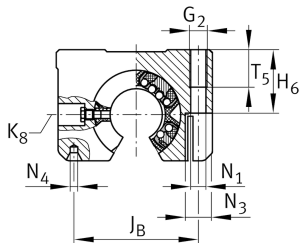
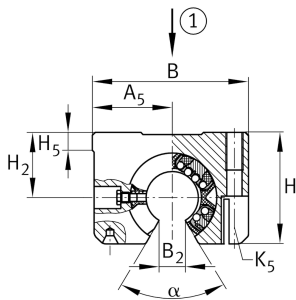
**KTSOS30-PP-AS**

Linear Ball Bearing and Housing Unit

Linear ball bearing and housing unit; open design, adjustable clearance, with self-aligning linear ball bearing, contact seals on both sides

Technical information



Your current product variant

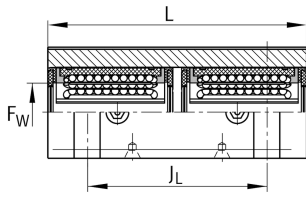
Size code	30
Seal	PP
Relubrication facility	AS

Technical data

	6	Ball rows
≈m	1,52 kg	Weight

Main Dimensions & Performance Data

F _w	30 mm	Diameter of ball complement
H	60 mm	Height
L	142 mm	Length
B	87 mm	Width
C _{max}	9.600 N	Load capacity dyn.
C _{0 max}	12.000 N	Load capacity stat.

**Mounting dimensions**

J _B	68 mm	
Tol J _B	+ 0,15 mm	Upper tolerance
Tol J _B	- 0,15 mm	Lower tolerance
A ₅	43,5 mm	
Tol A ₅	+ 0,01 mm	Upper tolerance
Tol A ₅	- 0,01 mm	Lower tolerance
B ₂	14,3 mm	
J _L	106 mm	Distance
Tol J _L	+ 0,15 mm	Upper tolerance
Tol J _L	- 0,15 mm	Lower tolerance
L ₆	54 mm	Distance
H ₂	35 mm	Center height
Tol H ₂	+ 0,008 mm	Upper tolerance
Tol H ₂	- 0,016 mm	Lower tolerance
H ₅	9,7 mm	
T ₅	22 mm	
H ₆	34 mm	
G ₂	M10	
N ₁	8,4 mm	
N ₄	2,5x5,3	
N ₃	15 mm	
K ₅	M8	
K ₈	NIP5MZ	Lubrication nipple
W	3 mm	Width across flats
α	57 °	Angle