

IMAGE
COMING SOON**KGHK12-B-PP-AS**

Linear Ball Bearing and Housing Unit

Linear ball bearing and housing unit; sealed, greased, with relubrication facility; corrosion-resistant design possible

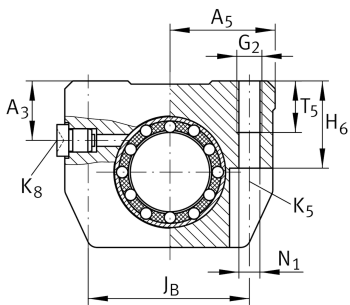
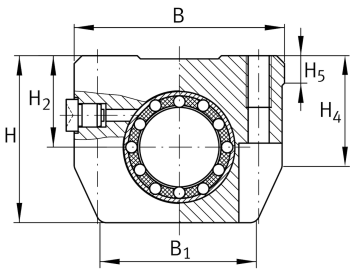
Technical information

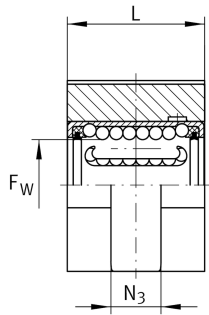
Your current product variant

Size Code	12
Version	B
Seal	PP
Relubrication facility	AS

Main Dimensions & Performance Data

F_W	12 mm	Diameter of ball complement
H	33 mm	Height
L	28,2 mm	Length
B	40 mm	Width
C	670 N	Dynamic load rating
C_0	510 N	Basic static load capacity
$\approx m$	80 g	Weight





Mounting dimensions

J _B	29 mm	
Tol J _B	+ 0,15 mm	Upper tolerance
Tol J _B	- 0,15 mm	Lower tolerance
B ₁	32 mm	
A ₅	20 mm	
H ₂	17 mm	Center height
Tol H ₂	+ 0,01 mm	Upper tolerance
Tol H ₂	- 0,014 mm	Lower tolerance
H ₄	25,1 mm	Mounting Dimension
H ₅	5 mm	
T ₅	11 mm	
H ₆	16 mm	Mounting Dimension
A ₃	11 mm	
G ₂	M5	
N ₁	4,3 mm	
N ₃	10 mm	
K ₅	M4	
K ₈	NIPA1	Lubrication nipple