

IMAGE
COMING SOON**KGHK20-B-PP-AS**

Linear Ball Bearing and Housing Unit

Linear ball bearing and housing unit; sealed, greased, with relubrication facility; corrosion-resistant design possible

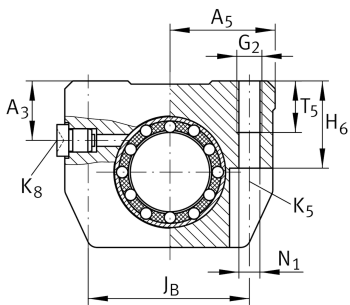
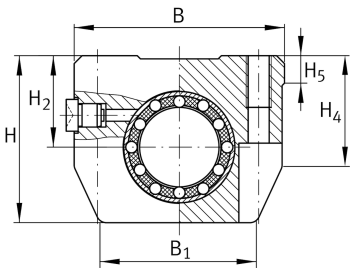
Technical information

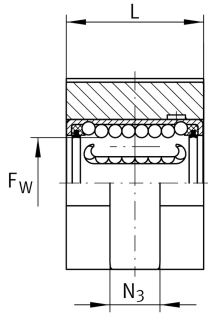
Your current product variant

Size code	20
Version	B
Seal	PP
Relubrication	AS

Main Dimensions & Performance Data

F _W	20 mm	Diameter of ball complement
H	42,5 mm	Height
L	30,2 mm	Length
B	53 mm	Width
C	1.110 N	Dynamic load rating
C ₀	790 N	Basic static load capacity
≈m	0,145 kg	Weight





Mounting dimensions

J _B	40 mm	
Tol J _B	+ 0,15 mm	Upper tolerance
Tol J _B	- 0,15 mm	Lower tolerance
B ₁	40 mm	
A ₅	26,5 mm	
H ₂	23 mm	Center height
Tol H ₂	+ 0,01 mm	Upper tolerance
Tol H ₂	- 0,014 mm	Lower tolerance
H ₄	29,8 mm	Mounting Dimension
H ₅	7,4 mm	
T ₅	13 mm	
H ₆	22 mm	Mounting Dimension
A ₃	15 mm	
G ₂	M6	
N ₁	5,3 mm	
N ₃	11 mm	
K ₅	M5	
K ₈	NIPA2	Lubrication nipple