

### KGB040-PP-AS

#### Linear Ball Bearing and Housing Unit

Linear ball bearing and housing unit; open design, sealed, greased, with relubrication facility; corrosion-resistant design possible

### Technical information

#### Your current product variant

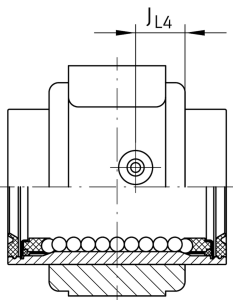
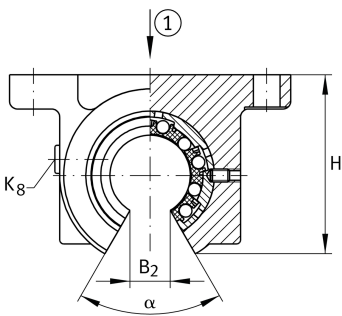
Seal	PP
Relubrication facility	AS

#### Technical data

	5	Ball rows
≈m	1,28 kg	Weight

#### Main Dimensions & Performance Data

H	79,5 mm	Center height
L	80 mm	Length
Tol L	h12	Tolerance
B	108 mm	Width
C	6.100 N	Load capacity dyn.
C <sub>0</sub>	4.600 N	Load capacity stat. C <sub>0</sub>





### Mounting dimensions

J <sub>B</sub>	94 mm	
Tol J <sub>B</sub>	+ 0,2 mm	Upper tolerance
Tol J <sub>B</sub>	- 0,2 mm	Lower tolerance
B <sub>1</sub>	77 mm	
A <sub>5</sub>	54 mm	
Tol A <sub>5</sub>	+ 0,02 mm	Upper tolerance
Tol A <sub>5</sub>	- 0,02 mm	Lower tolerance
B <sub>2</sub>	18,2 mm	
L <sub>4</sub>	40 mm	Distance
L <sub>5</sub>	56 mm	Distance
J L <sub>4</sub>	23 mm	Distance
H <sub>2</sub>	45 mm	Height shaft
Tol H <sub>2</sub>	+ 0,015 mm	Upper tolerance
Tol H <sub>2</sub>	- 0,015 mm	Lower tolerance
A <sub>3</sub>	30 mm	
H <sub>6</sub>	12 mm	
N <sub>1</sub>	9 mm	
N <sub>3</sub>	15 mm	
K <sub>5</sub>	M8	
K <sub>8</sub>	NIPA2	Lubrication nipple
α	54 °	Angle