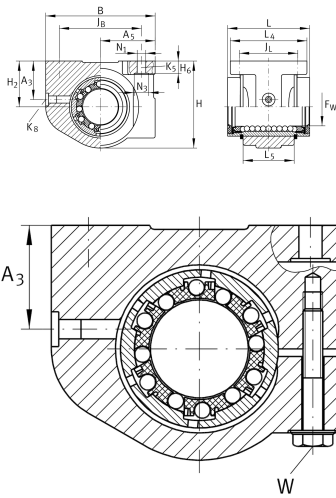
**KGBAS20-PP-AS**

Linear Ball Bearing and Housing Unit

Linear ball bearing and housing unit; sealed, greased, with relubrication facility; corrosion-resistant design possible

Technical information



Your current product variant

Size code	20
Seal	PP
Relubrication	AS

Technical data

	6	Ball rows
≈m	0,2 kg	Weight

Main Dimensions & Performance Data

F _w	20 mm	Diameter of ball complement
H	47,5 mm	Height
L	45 mm	Length
Tol L	h12	Tolerance
B	60 mm	Width
C	1.570 N	Load capacity dyn. C
C ₀	1.230 N	Load capacity stat. C ₀



Mounting dimensions

J _B	45 mm	
Tol J _B	+ 0,15 mm	Upper tolerance
Tol J _B	- 0,15 mm	Lower tolerance
A ₅	30 mm	
Tol A ₅	+ 0,01 mm	Upper tolerance
Tol A ₅	- 0,01 mm	Lower tolerance
L ₄	42 mm	
L ₅	28 mm	
J _L	32 mm	
Tol J _L	+ 0,15 mm	Upper tolerance
Tol J _L	- 0,15 mm	Lower tolerance
H ₂	25 mm	Center Height
Tol H ₂	+ 0,01 mm	Upper tolerance
Tol H ₂	- 0,01 mm	Lower tolerance
A ₃	21 mm	
H ₆	6,7 mm	
Tol H ₆	- 0,5 mm	Tolerance
N ₁	4,7 mm	
N ₃	8 mm	
K ₅	M4	
K ₈	NIPA1	Lubrication nipple
W	7 mm	Width across flats