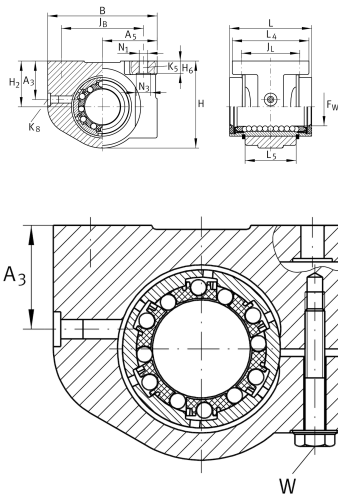
**KGBAS30-PP-AS**

## Linear Ball Bearing and Housing Unit

Linear ball bearing and housing unit; sealed, greased, with relubrication facility; corrosion-resistant design possible

## Technical information



## Your current product variant

Size code	30
Seal	PP
Relubrication facility	AS

## Technical data

	6	Ball rows
≈m	0,61 kg	Weight

## Main Dimensions &amp; Performance Data

F <sub>W</sub>	30 mm	Diameter of ball complement
H	67 mm	Height
L	68 mm	Length
Tol L	h12	Tolerance
B	84 mm	Width
C	3.600 N	Load capacity dyn. C
C <sub>0</sub>	2.850 N	Load capacity stat. C <sub>0</sub>



### Mounting dimensions

J <sub>B</sub>	68 mm	
Tol J <sub>B</sub>	+ 0,2 mm	Upper tolerance
Tol J <sub>B</sub>	- 0,2 mm	Lower tolerance
A <sub>5</sub>	42 mm	
Tol A <sub>5</sub>	+ 0,01 mm	Upper tolerance
Tol A <sub>5</sub>	- 0,01 mm	Lower tolerance
L <sub>4</sub>	60 mm	
L <sub>5</sub>	48 mm	
J <sub>L</sub>	45 mm	
Tol J <sub>L</sub>	- 0,2 mm	Upper tolerance
Tol J <sub>L</sub>	- 0,2 mm	Lower tolerance
H <sub>2</sub>	35 mm	Center Height
Tol H <sub>2</sub>	+ 0,01 mm	Upper tolerance
Tol H <sub>2</sub>	- 0,01 mm	Lower tolerance
A <sub>3</sub>	25 mm	
H <sub>6</sub>	8,7 mm	
Tol H <sub>6</sub>	- 0,5 mm	Tolerance
N <sub>1</sub>	6,8 mm	
N <sub>3</sub>	11 mm	
K <sub>5</sub>	M6	
K <sub>8</sub>	NIPA2	Lubrication nipple
W	10 mm	Width across flats