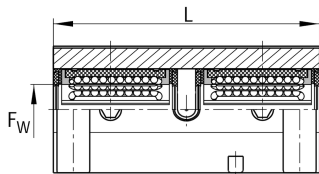
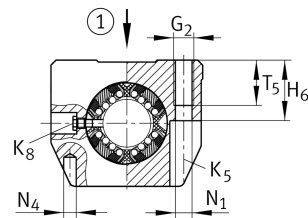
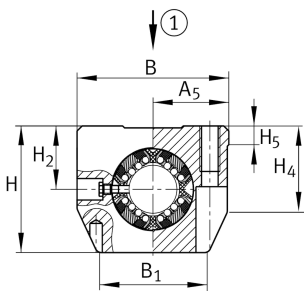


KTSS20-PP-AS [↗](#)

Linear Ball Bearing and Housing Unit

Linear ball bearing and housing unit; adjustable clearance, with self-aligning linear ball bearing, contact seals on both sides

Technical information



Your current product variant

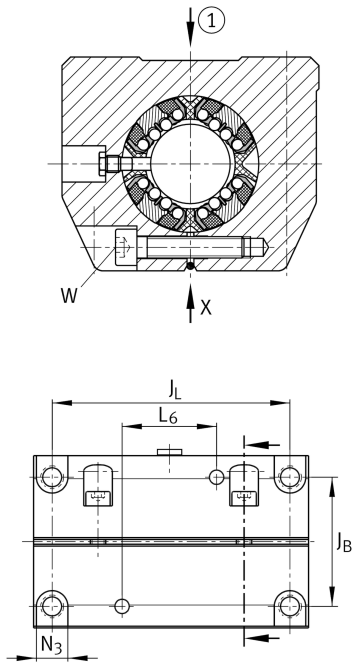
Size code	20
Seal	PP
Relubrication facility	AS

Technical data

	8	Ball rows
≈m	0,56 kg	Weight

Main Dimensions & Performance Data

F _w	20 mm	Diameter of ball complement
H	50 mm	Height
L	96 mm	Length
B	60 mm	Width
C _{max}	3.500 N	Load capacity dyn.
C _{0 max}	4.600 N	Load capacity stat.



Mounting dimensions

J _B	45 mm	
Tol J _B	+ 0,15 mm	Upper tolerance
Tol J _B	- 0,15 mm	Lower tolerance
B ₁	44 mm	
A ₅	30 mm	
Tol A ₅	+ 0,01 mm	Upper tolerance
Tol A ₅	- 0,01 mm	Lower tolerance
J _L	76 mm	Distance
Tol J _L	+ 0,15 mm	Upper tolerance
Tol J _L	- 0,15 mm	Lower tolerance
L ₆	33 mm	Distance
H ₂	25 mm	Center height
Tol H ₂	+ 0,008 mm	Upper tolerance
Tol H ₂	- 0,016 mm	Lower tolerance
H ₄	34,1 mm	
H ₅	7,4 mm	
T ₅	18 mm	
H ₆	24 mm	
G ₂	M8	
N ₁	6,6 mm	
N ₄	5 mm	
N ₃	11 mm	
K ₅	M6	
K ₈	NIP4MZ	Lubrication nipple
W	4 mm	Width across flats