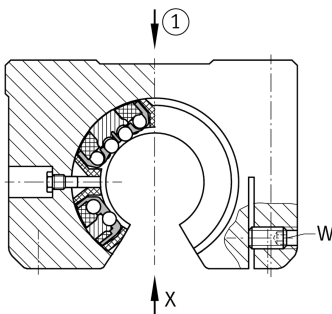
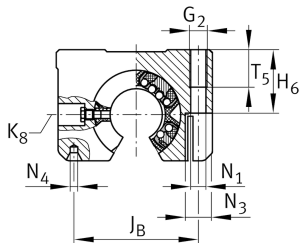
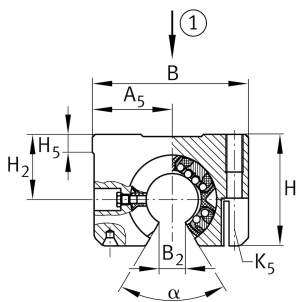


### KTSOS16-PP-AS

#### Linear Ball Bearing and Housing Unit

Linear ball bearing and housing unit; open design, adjustable clearance, with self-aligning linear ball bearing, contact seals on both sides

### Technical information



### Your current product variant

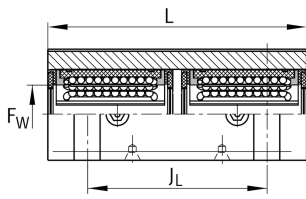
Size code	16
Seal	PP
Relubrication facility	AS

### Technical data

	6	Ball rows
≈m	0,31 kg	Weight

### Main Dimensions & Performance Data

F <sub>w</sub>	16 mm	Diameter of ball complement
H	35 mm	Height
L	78 mm	Length
B	53 mm	Width
C <sub>max</sub>	2.330 N	Load capacity dyn.
C <sub>0 max</sub>	3.100 N	Load capacity stat.



### Mounting dimensions

$J_B$	40 mm	
Tol $J_B$	+ 0,15 mm	Upper tolerance
Tol $J_B$	- 0,15 mm	Lower tolerance
$A_5$	26,5 mm	
Tol $A_5$	+ 0,01 mm	Upper tolerance
Tol $A_5$	- 0,01 mm	Lower tolerance
$B_2$	10,1 mm	
$J_L$	64 mm	Distance
Tol $J_L$	+ 0,15 mm	Upper tolerance
Tol $J_L$	- 0,15 mm	Lower tolerance
$L_6$	26 mm	Distance
$H_2$	22 mm	Center height
Tol $H_2$	+ 0,008 mm	Upper tolerance
Tol $H_2$	- 0,016 mm	Lower tolerance
$H_5$	7,5 mm	
$T_5$	13 mm	
$H_6$	21 mm	
$G_2$	M6	
$N_1$	5,3 mm	
$N_4$	1.6x3.35	
$N_3$	10 mm	
$K_5$	M5	
$K_8$	NIP4MZ	Lubrication nipple
$W$	2,5 mm	Width across flats
$\alpha$	68 °	Angle