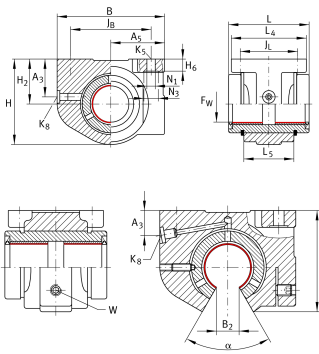
**PAGBAO12-PP-AS**

## Linear plain bearing and housing unit

Linear plain bearing and housing unit; open design, sealed on all sides, with relubrication facility

## Technical information



## Your current product variant

Size Code	12
Seal	PP
Relubrication facility	AS

## Main Dimensions &amp; Performance Data

F <sub>w</sub>	12 mm	Diameter of ball complement
H	30,5 mm	Height
L	32 mm	Length
Tol <sub>L</sub>	h12	Tolerance
B	42 mm	Width
≈m	60 g	Weight



### Mounting dimensions

J <sub>B</sub>	32 mm	
Tol J <sub>B</sub>	+ 0,15 mm	Upper tolerance
Tol J <sub>B</sub>	- 0,15 mm	Lower tolerance
A <sub>5</sub>	21 mm	
B <sub>2</sub>	7,6 mm	
L <sub>4</sub>	32 mm	
L <sub>5</sub>	20 mm	
J <sub>L</sub>	23 mm	
Tol J <sub>L</sub>	+ 0,15 mm	Upper tolerance
Tol J <sub>L</sub>	- 0,15 mm	Lower tolerance
H <sub>2</sub>	18 mm	Center height
A <sub>3</sub>	7,8 mm	
H <sub>6</sub>	4,8 mm	
Tol H <sub>6</sub>	- 0,5 mm	Tolerance
N <sub>1</sub>	4,7 mm	Mounting Dimension
N <sub>3</sub>	8 mm	Mounting Dimension
K <sub>5</sub>	M4	
K <sub>8</sub>	NIPA1	Lubrication nipple
W	2 mm	Width across flats
M W <sub>max</sub>	1 Nm	Max. tightening torque
α	78 °	Angle