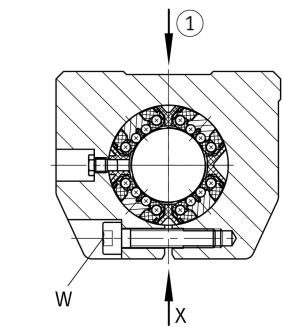
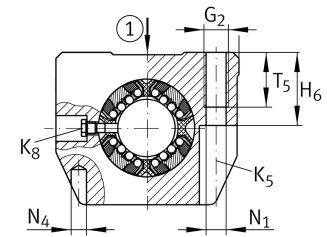
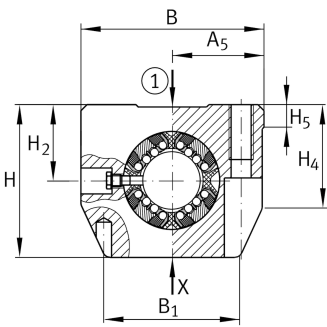


KGSNS16-PP-AS

Linear Ball Bearing and Housing Unit

Linear ball bearing and housing unit; with self-aligning linear ball bearing, slotted design, sealed, greased, with relubrication facility

Technical information



Your current product variant

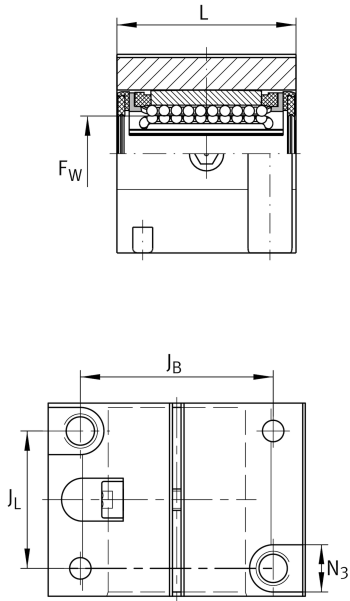
Size code	16
Seal	PP
Relubrication facility	AS

Technical data

	8	Ball rows
≈m	0,2 kg	Weight

Main Dimensions & Performance Data

F _w	16 mm	Diameter of ball complement
H	42 mm	Height
L	37 mm	Length
B	53 mm	Width
C _{max}	1.430 N	Load capacity dyn.
C _{0 max}	1.550 N	Load capacity stat.



Mounting dimensions

J _B	40 mm	
B ₁	40 mm	
A ₅	26,5 mm	
Tol A ₅	+ 0,01 mm	Upper tolerance
Tol A ₅	- 0,01 mm	Lower tolerance
J _L	26 mm	Distance
Tol J _L	+ 0,15 mm	Upper tolerance
H ₂	22 mm	Center height
H ₄	29,3 mm	
H ₅	6,9 mm	
T ₅	13 mm	Mounting Dimension
H ₆	21 mm	Mounting Dimension
G ₂	M6	
N ₁	5,3 mm	Mounting Dimension
N ₄	4 mm	
N ₃	10 mm	Mounting Dimension
K ₅	M5	
K ₈	NIP4MZ	Lubrication nipple
W	3 mm	Width across flats