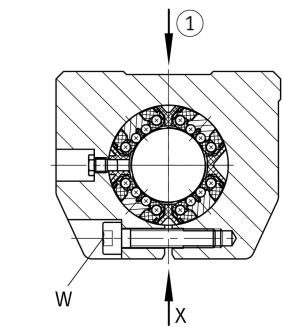
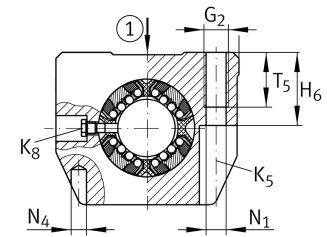
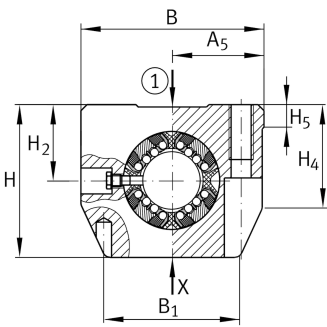


KGSNS40-PP-AS

Linear Ball Bearing and Housing Unit

Linear ball bearing and housing unit; with self-aligning linear ball bearing, slotted design, sealed, greased, with relubrication facility

Technical information



Your current product variant

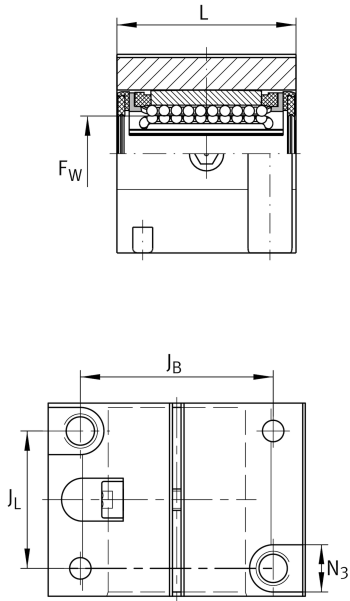
| | |
|------------------------|----|
| Size code | 40 |
| Seal | PP |
| Relubrication facility | AS |

Technical data

| | | |
|----|---------|-----------|
| | 8 | Ball rows |
| ≈m | 1,65 kg | Weight |

Main Dimensions & Performance Data

| | | |
|--------------------|----------|-----------------------------|
| F _w | 40 mm | Diameter of ball complement |
| H | 90 mm | Height |
| L | 80 mm | Length |
| B | 108 mm | Width |
| C _{max} | 10.200 N | Load capacity dyn. |
| C _{0 max} | 9.600 N | Load capacity stat. |



Mounting dimensions

| | | |
|--------------------|-----------|--------------------|
| J _B | 86 mm | |
| B ₁ | 76 mm | |
| A ₅ | 54 mm | |
| Tol A ₅ | + 0,01 mm | Upper tolerance |
| Tol A ₅ | - 0,01 mm | Lower tolerance |
| J _L | 58 mm | Distance |
| Tol J _L | + 0,15 mm | Upper tolerance |
| H ₂ | 45 mm | Center height |
| H ₄ | 57,6 mm | |
| H ₅ | 11,7 mm | |
| T ₅ | 26 mm | Mounting Dimension |
| H ₆ | 44 mm | Mounting Dimension |
| G ₂ | M12 | |
| N ₁ | 10,5 mm | Mounting Dimension |
| N ₄ | 8 mm | |
| N ₃ | 18 mm | Mounting Dimension |
| K ₅ | M10 | |
| K ₈ | NIP5MZ | Lubrication nipple |
| W | 6 mm | Width across flats |